

x4



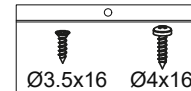
x2/x4/x6



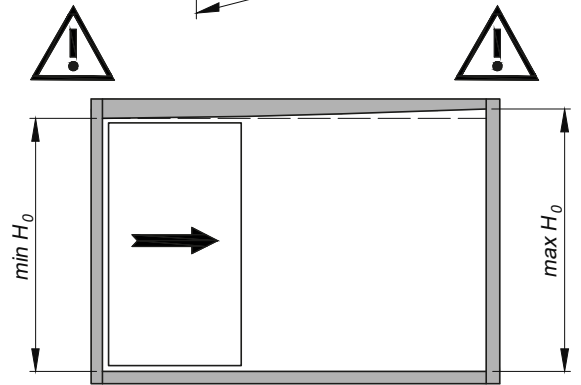
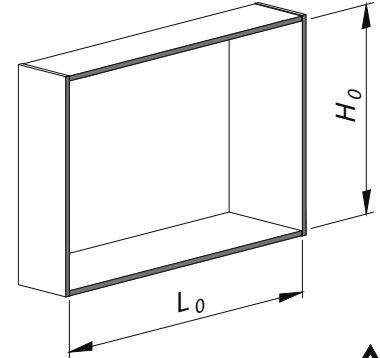
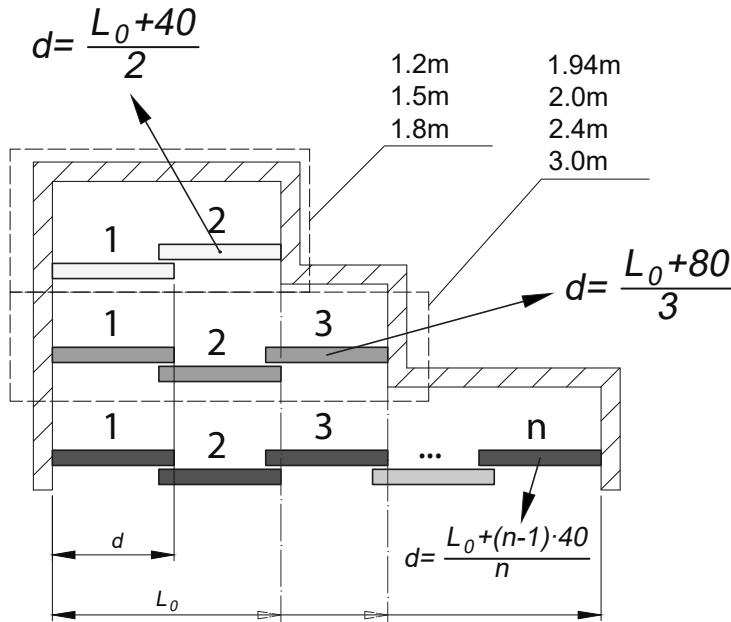
x2/x4/x6



x1/x2/x3



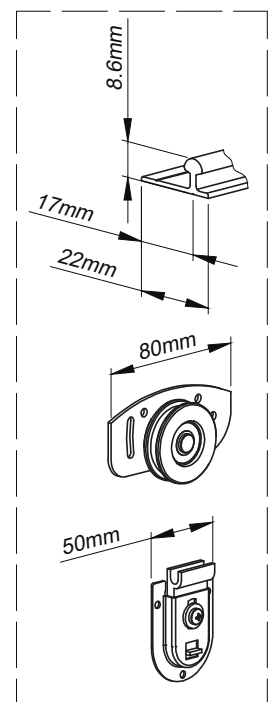
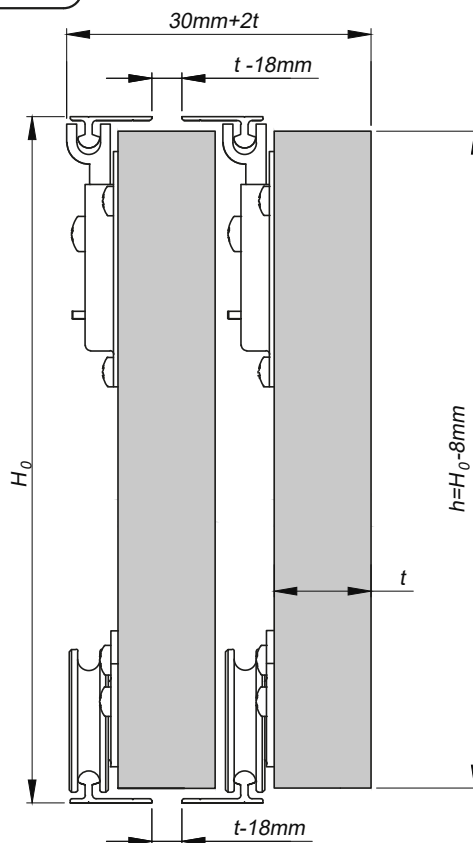
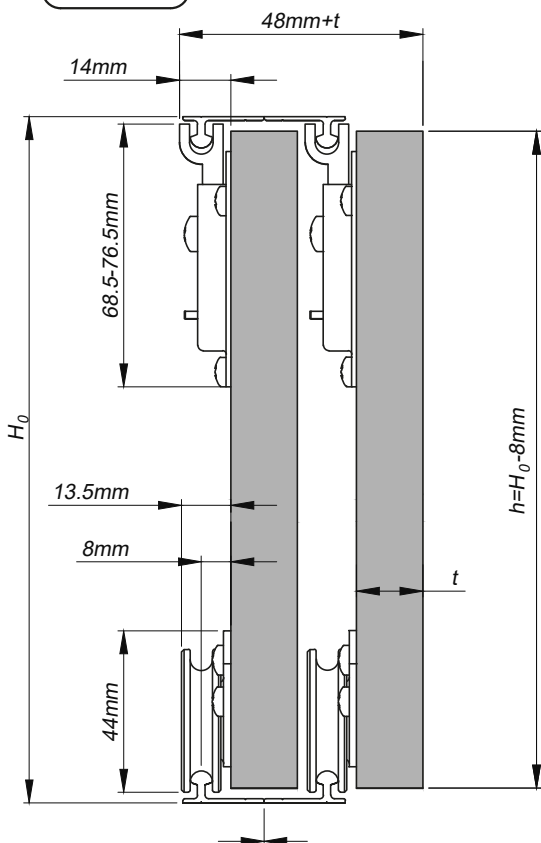
x1

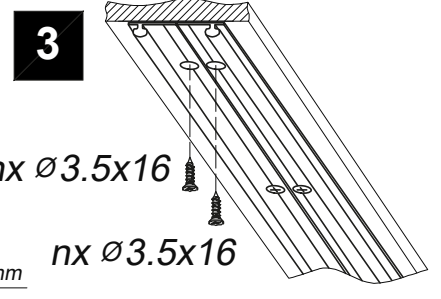
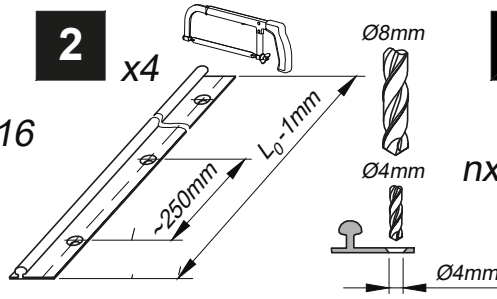
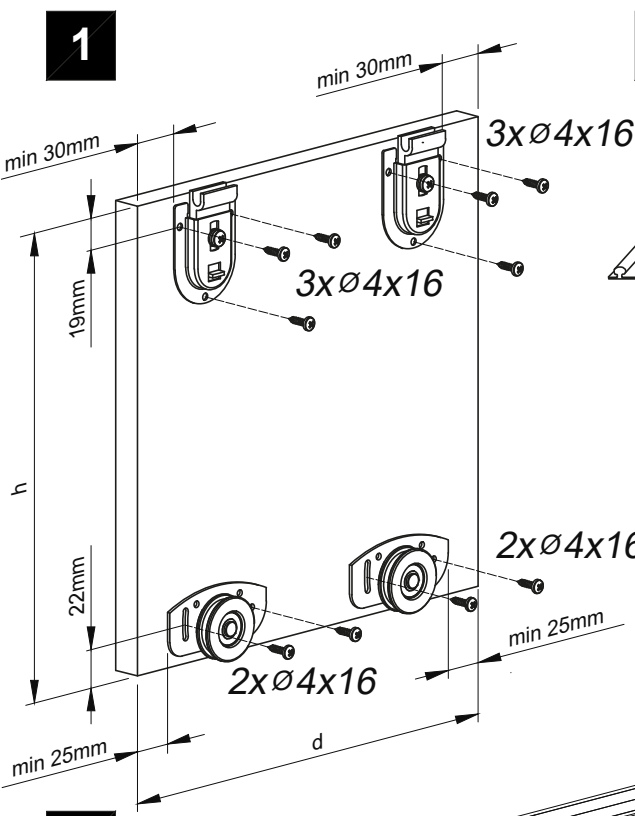


$$\max H_0 - \min H_0 \leq 4\text{mm}$$

$t \leq 18\text{mm}$

$t > 18\text{mm}$





L [mm]	1200	1500	1800	1940	2000	2400	3000
n	5	7	7	8	8	9	11

