

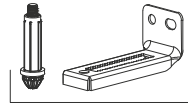
x1



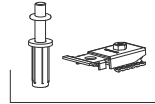
x1



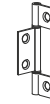
x1/x2



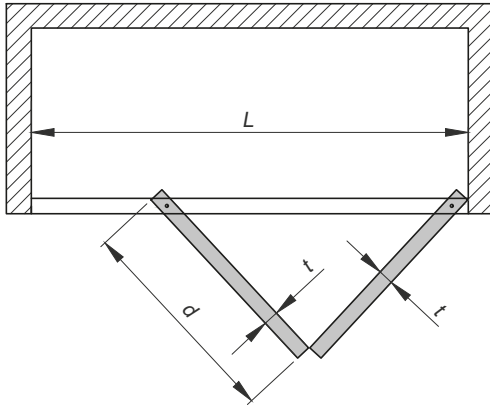
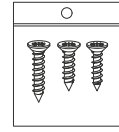
x1/x2



x1/x2

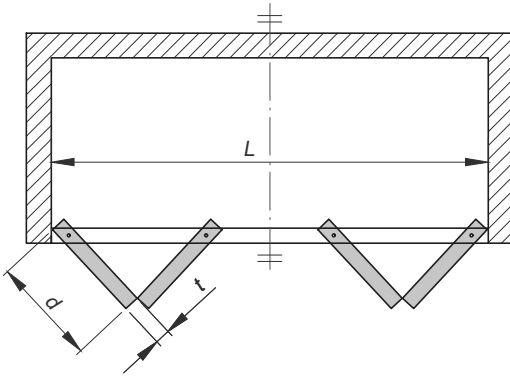


x3/x6

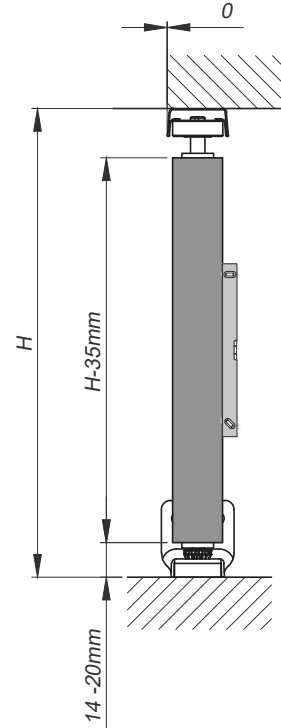


$$d = \frac{L}{2} - 4\text{mm} - x$$

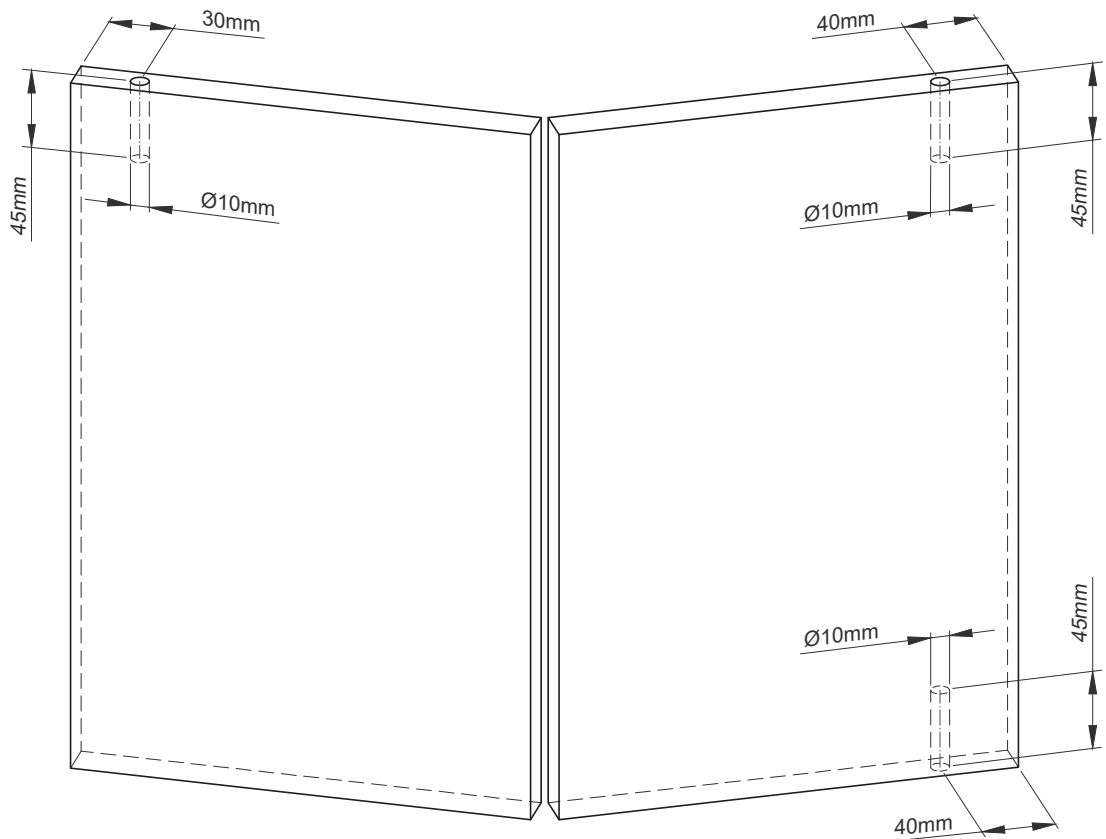
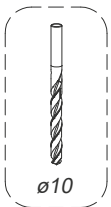
t [mm]	<28	28-30	31-38
x [mm]	0	2	4



$$d = \frac{L}{4} - 3\text{mm} - x$$



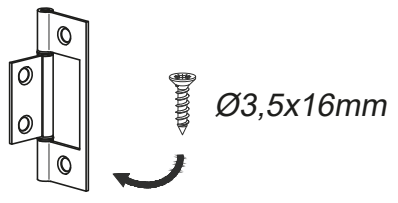
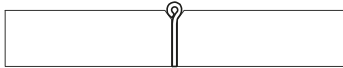
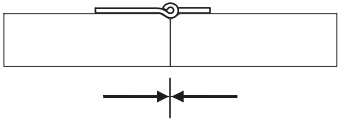
1



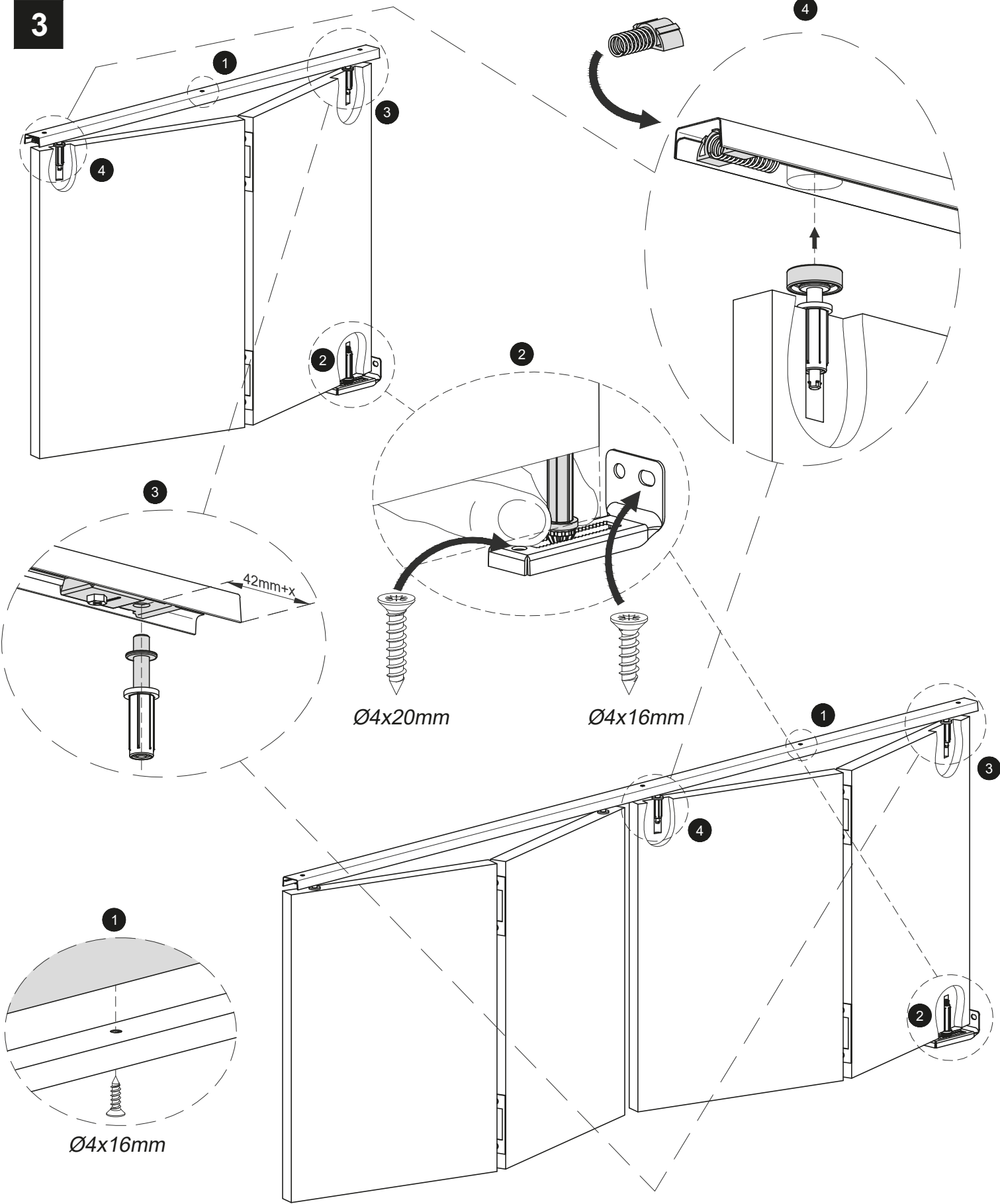
2

! $t < 22mm$

$22mm \leq t$



3



Ø4x20mm

Ø4x16mm

Ø4x16mm